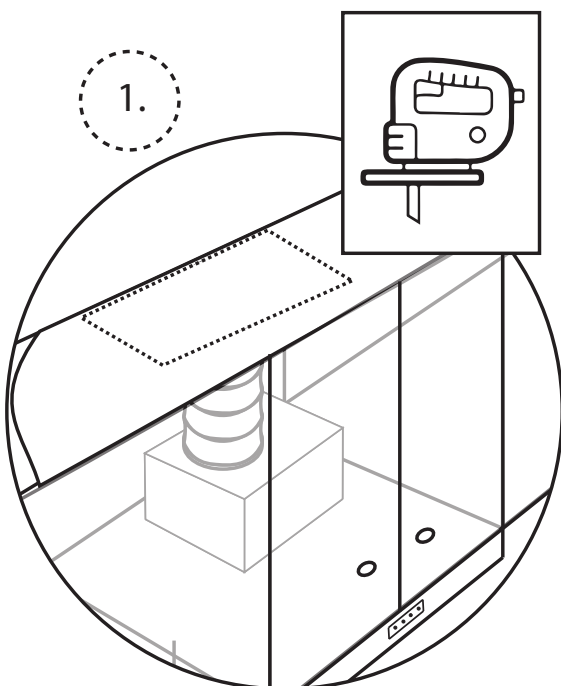
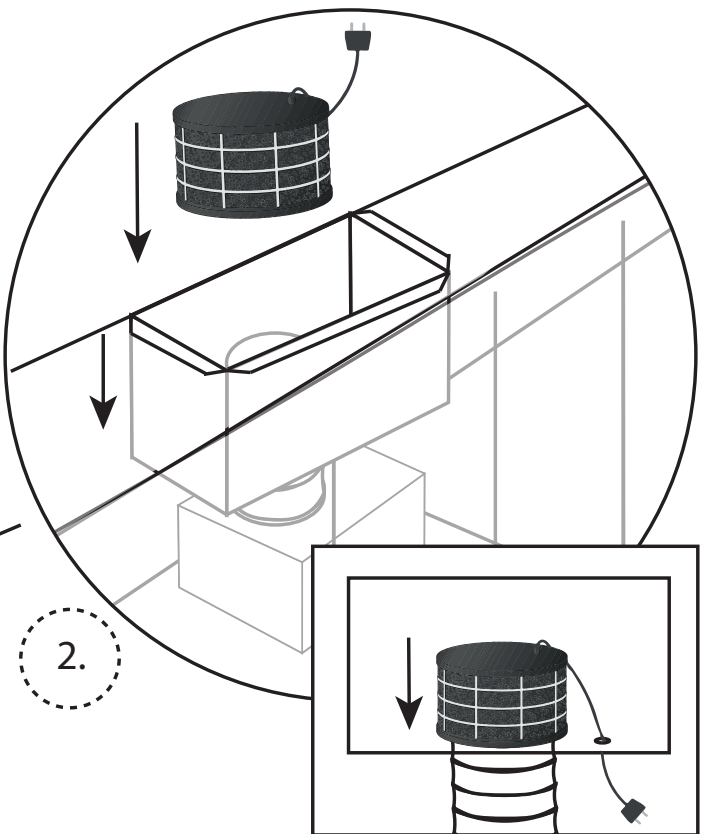
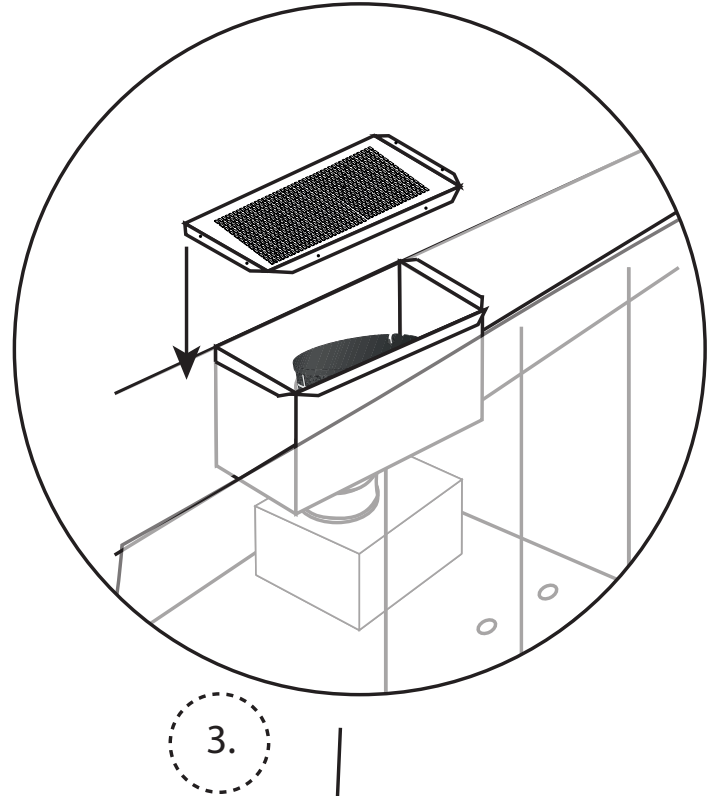
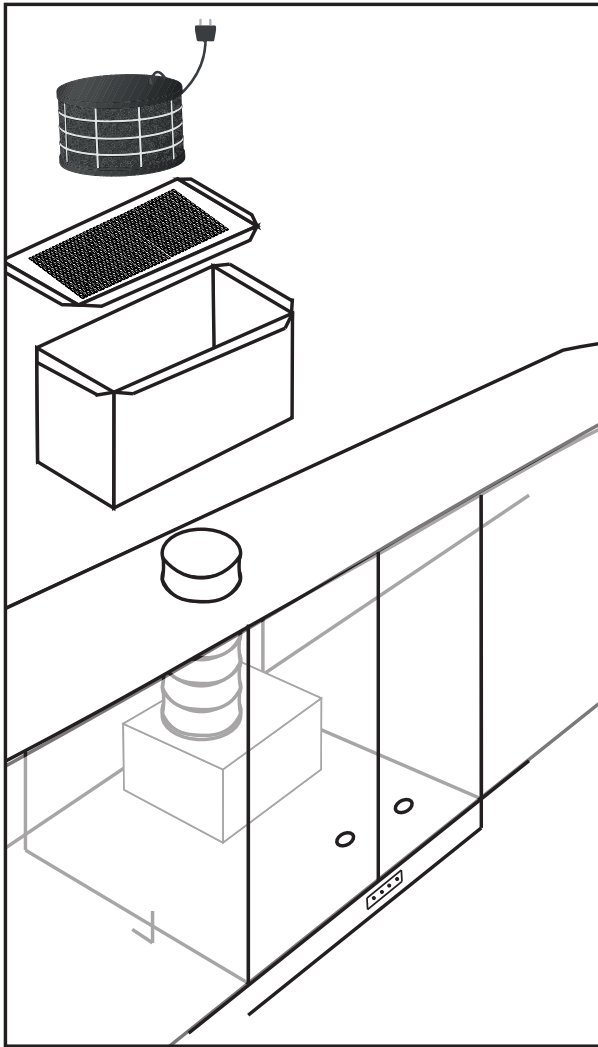


A faint line drawing of a cabinet with a gabled top and a circular base, serving as a background for the title.

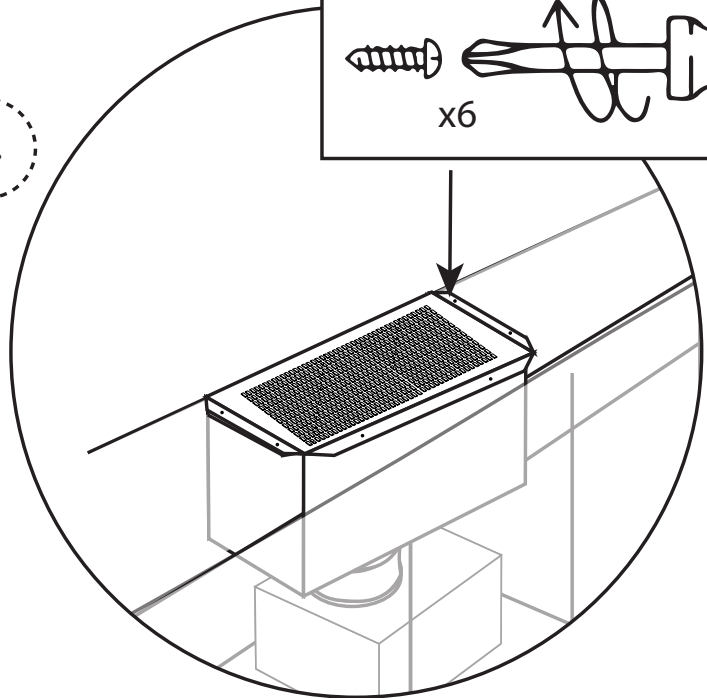
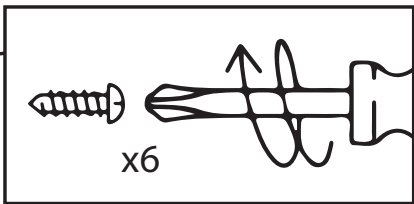
PLASMEX SKJULER SKABSMONTERET

MONTERING I SKAB

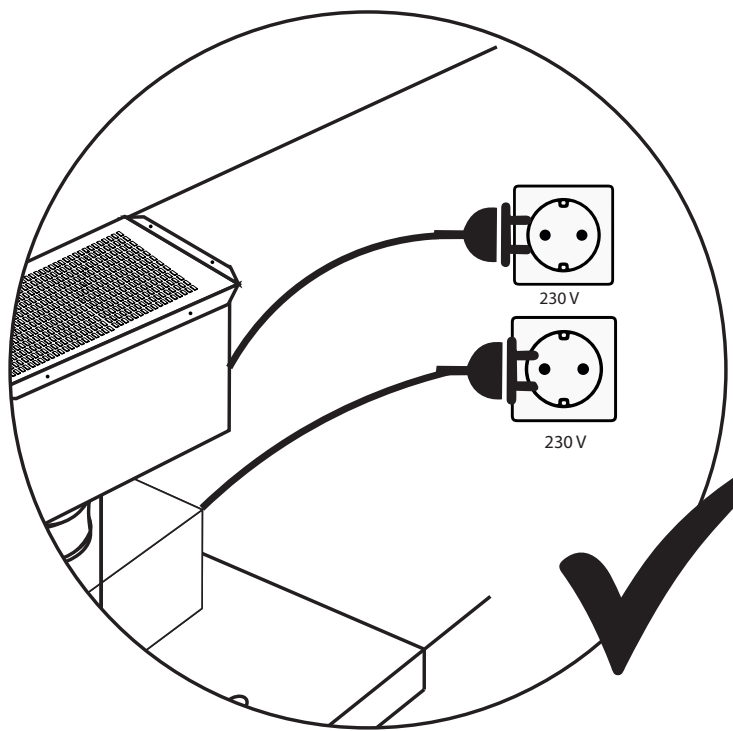


MONTERING I SKAB

4.



5.



**THERMEX SCANDINAVIA A/S**

Farøvej 30 ■ 9800 Hjørring ■ Danmark
Tlf. +45 98 92 62 33
www.thermex.dk
service@thermex.dk

THERMEX SCANDINAVIA AS

Tel. +47 22 21 90 20
www.thermex.no
service@thermex.no

THERMEX SCANDINAVIA AB

Importgatan 12 A ■ 442 46 Hisings Backa ■ Sverige
Tel. +46 031 340 82 00
www.thermex.se
info@thermex.se

THERMEX SCANDINAVIA S.L.U.

Noi del Sucre 42 ■ 08840 Viladecans ■ España
Tel. +34 936 373 003
www.thermex.es
info@thermex.es

THERMEX SCANDINAVIA A/S

Puhelin +358 942 454 000
www.thermex.fi
info@thermex.fi

